

PART LIST

Reference Number	Description	Part Number
	Fan Controller Knob	EC-040
1	Auger motor - 220 V	EF-001-220V
	Convection blower insulator (gasket)	EF-006
	Combustion main impeller	EF-008
	Combustion cooling impeller	EF-009
2	140°F (60°C) exhaust temperature sensor ceramic	EF-010
	Combustion blower mounting gasket	EF-011
	Combustion blower housing gasket	EF-012
3	Fan temperature sensor 160°F (71°C)	EF-013
4	Ignition temperature sensor 120°F (49°C) ceramic	EF-015
5	High limit temperature sensor 200°F (93°C) manual reset	EF-016
6	Vacuum switch - 220 V	EF-017-220V
	Silicone hose	EF-018
	Aluminum hose barb	EF-019
7	Auger timer control - 220 V (3 sec)	EF-036-220V
8	Power up timer control - 220 V	EF-037-220V
9	Green light - 220 V	EF-041-220V
10	Start up switch	EF-043
11	Fan controller with knob - 220 V	EF-045-220V
	Ash pan latch (Insert)	EF-060
12	Auger brass bushings (set of 2)	EF-065
	Dial-a-fire knob	EF-067
	Shoulder bolt, hardened bushing and nut (set of 2)	EF-124
	Pellet stove cleaning brush	EF-156
13	Ash pan latch (Freestanding)	EF-178
	Pedestal & Ash Pan Gasket (10 feet)	EF-208
14	Convection blower - 220 V	EF4i-002-220V
	Convection blower impeller	EF4i-004
15	Ignition burn pot	EF4i-021
	Auger Brass Bushing and Plate	EF4i-026
16	Door Handle (wooden)	EF4i-028
17	Door latch with bolt (includes feral & bearing)	EF4i-029
18	Firebox liner with insulation	EF4i-047
	Heat exchanger rod	EF4i-051
	Door gasket ¾" firm round (7 feet)	EF4i-056
	Window channel tape	EF4i-058
19	Glass set	EF4i-062
	Slider damper spacers	EF4i-063

PART LIST

Reference Number	Description	Part Number
	Slider damper plate	EF4i-064
20	Firebox liner top plate	EF4i-066
	Wiring harness	EF4i-071
	Pedestal (Insert)	EF4i-074
21	Door latch cover & door hinge cover (set of 2)	EF4i-096
22	Back grill	EF4i-097
23	Ash sill	EF4i-103
24	Ash pan with latch	EF4i-105
25	Stove top (Freestanding)	EF4i-111
	Stove top (Insert)	EF4i-114
26	Front grill	EF4i-123
	Cabinet side set - left and right (Insert)	EF4i-131
	Hopper side - left	EF4i-135
	Hopper side - right	EF4i-135A
	Hopper lid spring mechanism (Insert)	EF4i-138
27	Pedestal (Freestanding)	EF4i-139
28	Cabinet side - left (Freestanding)	EF4i-142
29	Cabinet side - right (Freestanding)	EF4i-143
	CE power cord - 220 V	20-010-220V
30	Pin ignitor - 220V	20-016-220V
	Firebox ceramic wool insulation	20-017
31	Halogen cycle	20-034
32	Cleaning port covers	20-037
33	Control panel door	20-040
34	Dial-a-fire - 220 V	20-043
35	Steel burn pot liner (High Ash)	50-259
36	Auger	50-319
37	Control panel touch latch	50-323
38	Phase controller - 220 V	50-353
39	Glass extrusions (set of 2)	50-483
40	Phase control panel with door, decal, switch, and light - 220 V (Freestanding)	50-486
40	Phase control panel with door, decal, switch, and light - 220 V (Insert)	50-494
41	Flush handle (for hopper lid)	50-523
	EMI Filter - 220 V	50-648
	Owner's Manual - DIN	50-839
	Technical Manual - DIN	50-840
42	Exhaust Blower Assembly - 220 V	50-900
	5/8" ID Auger Collar with Screw	50-968

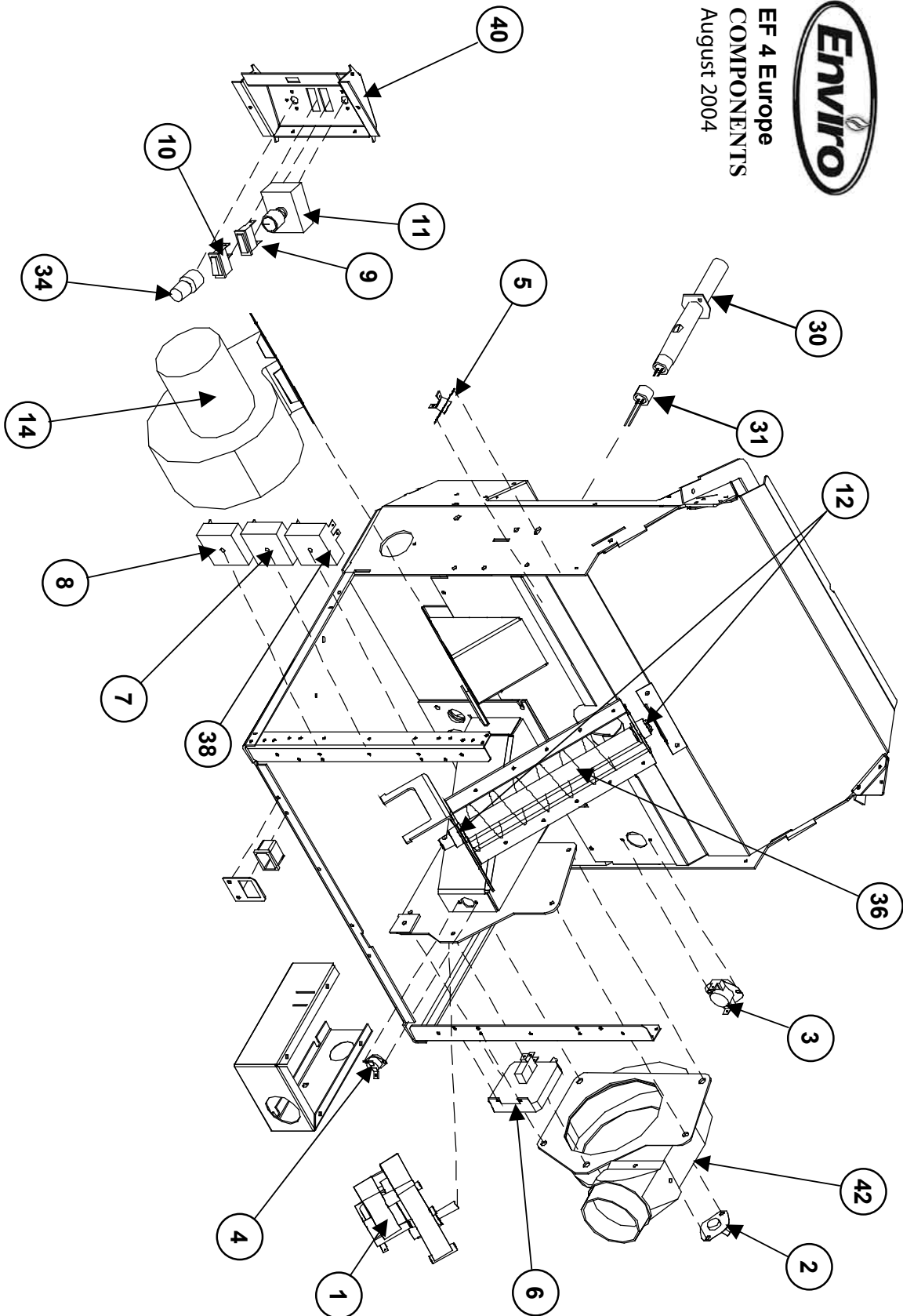
PART LIST - OPTIONS

Reference Number	Description	Part Number
	Log set	20-036
43	Steel brick lining	EF4i-130
	Bar set (set of 2) - Gold	EF4i-144
44	Door complete - Polished Nickel	50-261
44	Door complete - Gold	EF4i-092
44	Door complete - Painted	EF4i-094
45	Door cover (door A) - Painted	50-169
45	Door cover (door A) - Gold	50-170
45	Door cover (door A) - Polished Nickel	50-171
	Regular surround panel with Black trim (Insert)	50-102
	Oversize surround panel with Black trim (Insert)	50-103
	Oversize surround panel trim only - Black (Insert)	50-119
	Regular surround panel trim only - Black (Insert)	50-120
	Oversize surround panel trim only - Nickel (Insert)	50-131
	Regular surround panel trim only - Nickel (Insert)	50-132
	Regular surround panel trim only - Brass (Insert)	EC-051
	Oversize surround panel trim only - Brass (Insert)	EC-052
	Tapped corner bracket (Insert)	EC-053
	Regular surround panel (Insert)	EF4i-076
	Oversize surround panel (Insert)	EF4i-078
	Square oversize surround panel with brass trim (Insert)	EF4i-108

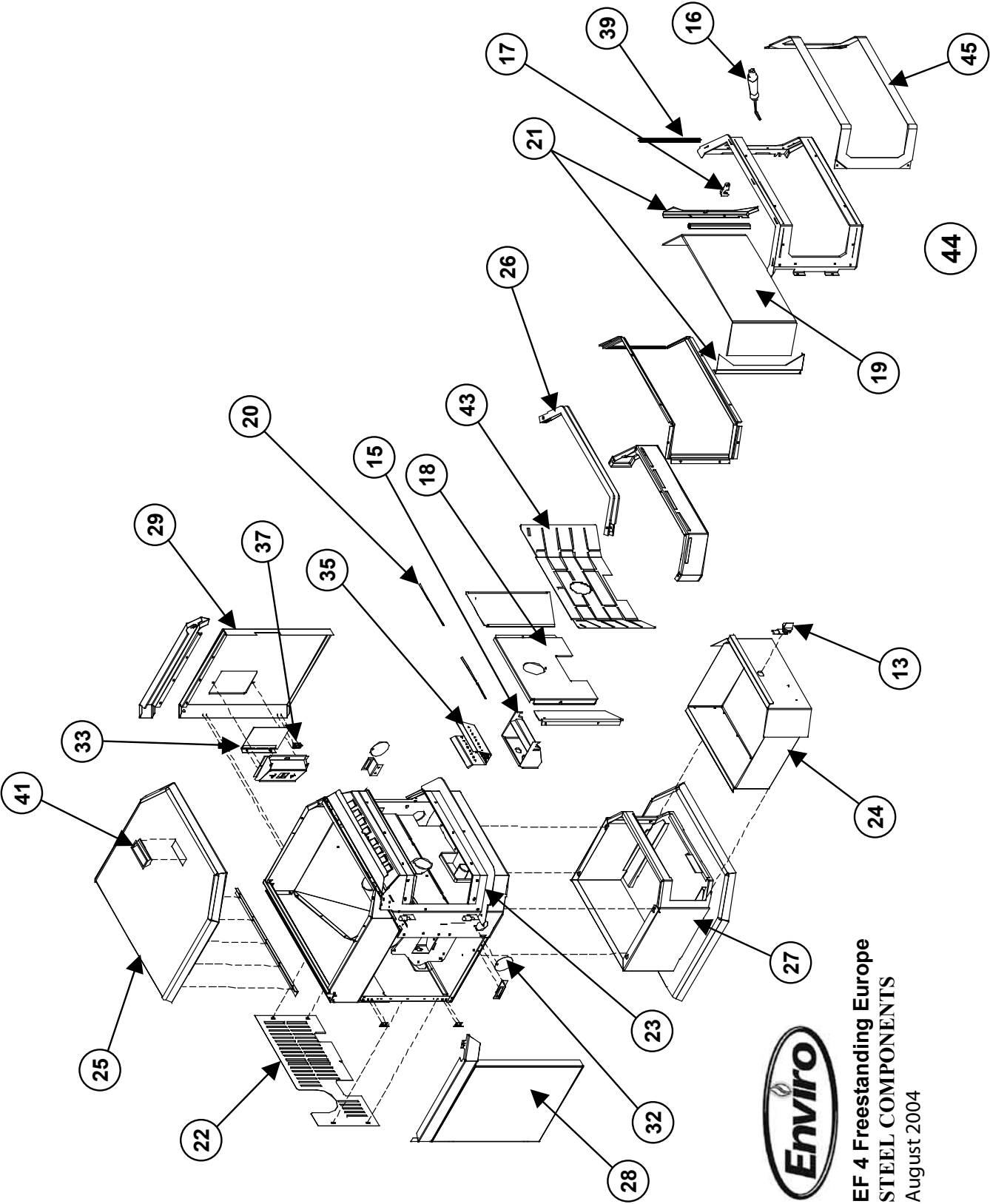
PART DIAGRAM - COMPONENTS



EF 4 Europe
COMPONENTS
August 2004



PART DIAGRAM - STEEL



EF 4 Freestanding Europe
STEEL COMPONENTS
August 2004